

Defense-third hand play

♠ —	♠ A Q 3	♠ 10 8 4	
♥ —	♥ K J 2	♥ 10 7 5 4	
♦ —	♦ K 5 2	♦ A J 9 3	
♣ —	♣ 9 7 6 2	♣ A 8	
	<div style="display: inline-block; background-color: green; color: white; padding: 10px; border: 1px solid black;"> N W E S </div>		
	♠ —		
	♥ —		
	♦ —		
	♣ —		
<i>West</i>	<i>North</i>	<i>East</i>	<i>South</i>
Pass	3 N	All pass	1 N

Opening lead: ♦ 7

Declarer calls for the ♦ 2. As West, what do you play?

Defense-third hand play

Board 1
 South Deals
 None Vul

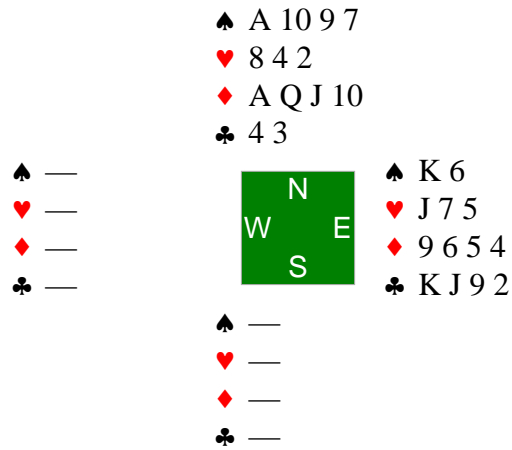
	♠ A Q 3		
	♥ K J 2		
	♦ K 5 2		
	♣ 9 7 6 2		
♠ 9 7 6 5	<div style="display: inline-block; background-color: green; color: white; padding: 5px; text-align: center;"> N W E S </div>	♠ 10 8 4	
♥ 9 8 6		♥ 10 7 5 4	
♦ Q 10 8 7		♦ A J 9 3	
♣ 5 3		♣ A 8	
	♠ K J 2		
	♥ A Q 3		
	♦ 6 4		
	♣ K Q J 10 4		
<i>West</i>	<i>North</i>	<i>East</i>	<i>South</i>
			1 N
Pass	3 N	All pass	

If you play anything but the ♦ 3, you cannot beat this hand

Rule of 11

Partner led the 7: $11 - 7 = 4$ cards out higher than the 7 (if it was 4th best)

Defensive tips- 3rd hand play



<i>West</i>	<i>North</i>	<i>East</i>	<i>South</i>
			1 ♠
Pass	3 ♠	Pass	4 ♠
All pass			

Opening lead: ♣ 6 Declarer plays the 3 from dummy What do you play?

Defensive tips- 3rd hand play

Board 2
 South Deals
 None Vul

	♠ A 10 9 7		
	♥ 8 4 2		
	♦ A Q J 10		
	♣ 4 3		
♠ 4 2	♠ K 6		
♥ A Q 10 9	♥ J 7 5	N	
♦ 7 3	♦ 9 6 5 4	W E	
♣ 10 8 7 6 5	♣ K J 9 2	S	
	♠ Q J 8 5 3		
	♥ K 6 3		
	♦ K 8 2		
	♣ A Q		
<i>West</i>	<i>North</i>	<i>East</i>	<i>South</i>
			1 ♠
Pass	3 ♠	Pass	4 ♠
All pass			

♣ 6 is likely 4th best

Since it is practically universal to **not** underlead a side suit Ace at trick 1 against a suit contract, it is known that declarer (South) has the ♣ Ace

So, who has the ♣ Q?

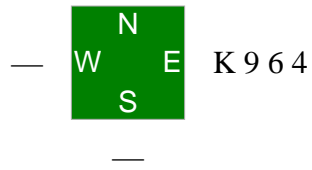
You can find out, if you play the ♣ J.

When South wins the ♣ Q, we have our answer.

When you (East) get in with your ♠ K, you will know to not continue clubs.
 You will switch to the ♥ J

Defensive tips-3rd hand play

Q J 10 8 7

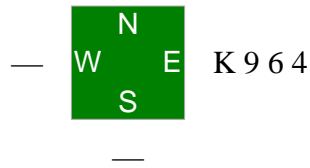


Contract: 4 ♥

Lead: 5 ♠: 10♠ played from dummy, What do you play?

Defensive tips-3rd hand play

Q J 10 8 7



Contract: 4 ♥

Lead: 5 ♠: 10♠ played from dummy, What do you play?

This is not a case for 3rd hand high

Once again, partner has not underled the ♠ A, so declarer has it.

The ♠ 5 is either singleton, doubleton, or from ♠ 532, depending on agreement.

Playing your King sets up the suit for declarer.

Play your ♠ 6, showing count (even #) and hope that declarer wins their stiff Ace.

If partner's lead is a singleton, you have lost nothing.

If it was a doubleton, the ♠ A will show up the next time the suit is played

defensive tips-3rd hand play

	♠ Q 3			
	♥ K 10 7			
	♦ 9 8 6 5 4			
	♣ K 9 7			
♠ —		♠ 6		
♥ —		♥ A Q 9 5		
♦ —		♦ Q 3 2		
♣ —		♣ A J 10 8 2		
	♠ —			
	♥ —			
	♦ —			
	♣ —			
<i>West</i>	<i>North</i>	<i>East</i>	<i>South</i>	
		1 ♣	4 ♠	
All pass				

Opening Lead: ♣ 5

Declarer calls for the ♣ 7. What do you play?

defensive tips-3rd hand play

Board 4
 East Deals
 None Vul

	♠ Q 3		
	♥ K 10 7		
	♦ 9 8 6 5 4		
	♣ K 9 7		
♠ K 2	♠ 6		
♥ 8 6 4 3 2	♥ A Q 9 5		
♦ K J 10 7	♦ Q 3 2		
♣ 5 3	♣ A J 10 8 2		
	♠ A J 10 9 8 7 5 4		
	♥ J		
	♦ A		
	♣ Q 6 4		
<i>West</i>	<i>North</i>	<i>East</i>	<i>South</i>
		1 ♣	4 ♠
All pass			

Opening Lead: ♣ 5

Declarer calls for the ♣ 7. What do you play?

What does partner's lead say?

Could South have a singleton ♣ Q?

If South has singleton ♣ Q, then partner has ♣ 6543.

Would they lead the 5 from that holding?

If you play your ♣ A, you will set up 2 tricks for declarer.
 Just play the ♣ 8 and the contract will be defeated

defensive tips-3rd hand play

J 9 3



<i>West</i>	<i>North</i>	<i>East</i>	<i>South</i>
			1 ♥
Pass	3 ♥	Pass	4 ♥
All pass			

Opening lead: ♠ 5

What do you play at trick 1 ? What do you return when you are next on lead?

defensive tips-3rd hand play

J 9 3



<i>West</i>	<i>North</i>	<i>East</i>	<i>South</i>
			1 ♥
Pass	3 ♥	Pass	4 ♥
All pass			

Opening lead: ♠ 5

Low from dummy.

What do you play at trick 1 ? What do you return when you are next on lead?

You must play the 10. Otherwise, you will likely set up a second stopper (the Jack)

Partner does not have the Ace - declarer does.

If declarer also has the Queen, it is still the right play

If declarer wins the Ace, we know who has the Queen.

We will return the ♠ 4: lowest from 3 remaining

defensive tips-3rd hand play

7 5



<i>West</i>	<i>North</i>	<i>East</i>	<i>South</i>
Pass	3 N	All pass	1 N

Opening lead: ♠ 3

What do you play at trick 1 ? What do you return when you are next on lead?

defensive tips-3rd hand play

7 5



<i>West</i>	<i>North</i>	<i>East</i>	<i>South</i>
Pass	3 N	All pass	1 N

Opening lead: ♠ 3

What do you play at trick 1 ? What do you return when you are next on lead?

defensive tips-3rd hand play

7 5



<i>West</i>	<i>North</i>	<i>East</i>	<i>South</i>
Pass	3 N	All pass	1 N

Opening lead: ♠ 3

What do you play at trick 1 ? What do you return when you are next on lead?

defensive tips-3rd hand play

7 5



<i>West</i>	<i>North</i>	<i>East</i>	<i>South</i>
Pass	3 N	All pass	1 N

Opening lead: ♠ 3

What do you play at trick 1 ? What do you return when you are next on lead?

defensive tips-3rd hand play

7 5



<i>West</i>	<i>North</i>	<i>East</i>	<i>South</i>
Pass	3 N	All pass	1 N

Opening lead: ♠ 3

What do you play at trick 1 ? What do you return when you are next on lead?

defensive tips-3rd hand play

7 5



<i>West</i>	<i>North</i>	<i>East</i>	<i>South</i>
Pass	3 N	All pass	1 N

ANSWERS

Opening lead: ♠ 3 declarer plays ♠ 5.

What do you play at trick 1 ? What do you return when you are next on lead?

- ♠ AJ2 Win the Ace, return the Jack (highest of 2 remaining)
- ♠ AJ62 Win the Ace, return the 2 (lowest of 3 remaining)
- ♠ QJ109 Play the 9, return the Queen (top of a sequence)
- ♠ K10984 Play the King, return the 8 (original 4th best- could confuse partner)
or 10 (top of sequence)
- ♠ 862 Play the 2 (count card-low shows odd number(3 here)- *more important to partner*)

desfensive tips-3rd hand play

Q 5



<i>West</i>	<i>North</i>	<i>East</i>	<i>South</i>
Pass	3 N	All pass	1 N

Opening lead: ♠ 3 Declarer plays the 5 from dummy.

What do you play at trick 1 ? What do you return when you are next on lead?

desfensive tips-3rd hand play

Q 5



<i>West</i>	<i>North</i>	<i>East</i>	<i>South</i>
Pass	3 N	All pass	1 N

Opening lead: ♠ 3 Declarer plays the 5 from dummy.

What do you play at trick 1 ? What do you return when you are next on lead?

desfensive tips-3rd hand play

Q 5



<i>West</i>	<i>North</i>	<i>East</i>	<i>South</i>
Pass	3 N	All pass	1 N

Opening lead: ♠ 3 Declarer plays the 5 from dummy.

What do you play at trick 1 ? What do you return when you are next on lead?

desfensive tips-3rd hand play

Q 5



<i>West</i>	<i>North</i>	<i>East</i>	<i>South</i>
Pass	3 N	All pass	1 N

Opening lead: ♠ 3 Declarer plays the 5 from dummy.

What do you play at trick 1 ? What do you return when you are next on lead?

desfensive tips-3rd hand play

Q 5



<i>West</i>	<i>North</i>	<i>East</i>	<i>South</i>
Pass	3 N	All pass	1 N

Opening lead: ♠ 3 Declarer plays the 5 from dummy.

What do you play at trick 1 ? What do you return when you are next on lead?

desfensive tips-3rd hand play

Q 5



<i>West</i>	<i>North</i>	<i>East</i>	<i>South</i>
Pass	3 N	All pass	1 N

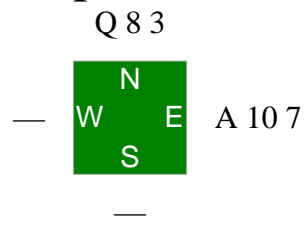
ANSWERS

Opening lead: ♠ 3 Declarer plays the 5 from dummy.

What do you play at trick 1 ? What do you return when you are next on lead?

- ♠ 10 9 Play the 9 (lowest of touching cards) return the 10
- ♠ 8 6 2 Play the 2 (count card-showing odd #) more useful to partner
- ♠ K1074 Play the K - if Declarer had Ace, they would play the Queen from dummy here, their only chance for 2 tricks return the 4 (lowest of 3 remaining)
- ♠ AJ109 Play the 9, return the Ace later
- ♠ A107 Play the 10- Declarer has at least 3 spades (partner can't have more than 5)
If he has Jxx, then give him the trick now,

defensive tips-3rd hand play



Opening lead: ♥ 2 Declarer plays the 3 from dummy.
What do you play?

defensive tips-3rd hand play

Q 8 3



<i>West</i>	<i>North</i>	<i>East</i>	<i>South</i>
Pass	2 N	Pass	1 N
All pass			3 N

Opening lead: ♥ 2 Declarer plays the 3 from dummy.
 What do you play?

defensive tips-3rd hand play

Q 8 3



<i>West</i>	<i>North</i>	<i>East</i>	<i>South</i>
			1 N
Pass	2 N	Pass	3 N
All pass			

Opening lead: ♥ 2 Declarer plays the 3 from dummy.
 What do you play?

defensive tips-3rd hand play

Q 8 3



<i>West</i>	<i>North</i>	<i>East</i>	<i>South</i>
Pass	2 N	Pass	1 N
All pass			3 N

Opening lead: ♥ 2 Declarer plays the 3 from dummy.
 What do you play?

defensive tips-3rd hand play

Q 8 3



<i>West</i>	<i>North</i>	<i>East</i>	<i>South</i>
Pass	2 N	Pass	1 N
All pass			3 N

Opening lead: ♥ 2 Declarer plays the 3 from dummy.
 What do you play?

defensive tips-3rd hand play

Q 8 3



<i>West</i>	<i>North</i>	<i>East</i>	<i>South</i>
			1 N
Pass	2 N	Pass	3 N
All pass			

Opening lead: ♥ 2 Declarer plays the 3 from dummy.
 What do you play?

defensive tips-3rd hand play

Q 8 3



<i>West</i>	<i>North</i>	<i>East</i>	<i>South</i>
			1 N
Pass	2 N	Pass	3 N
All pass			

Opening lead: ♥ 2 Declarer plays the 3 from dummy.
 What do you play?

defensive tips-3rd hand play

Q 8 3



<i>West</i>	<i>North</i>	<i>East</i>	<i>South</i>
			1 N
Pass	2 N	Pass	3 N
All pass			

Opening lead: ♥ 2 Declarer plays the 3 from dummy.
 What do you play?

defensive tips-3rd hand play

Q 8 3



<i>West</i>	<i>North</i>	<i>East</i>	<i>South</i>
			1 N
Pass	2 N	Pass	3 N
All pass			

Opening lead: ♥ 2 Declarer plays the 3 from dummy.
 What do you play?

defensive tips-3rd hand play

Q 8 3



<i>West</i>	<i>North</i>	<i>East</i>	<i>South</i>
			1 N
Pass	2 N	Pass	3 N
All pass			

Opening lead: ♥ 2 Declarer plays the 3 from dummy.
 What do you play?

defensive tips-3rd hand play

Q 8 3



<i>West</i>	<i>North</i>	<i>East</i>	<i>South</i>
Pass	2 N	Pass	1 N
All pass			3 N

Opening lead: ♥ 2 Declarer plays the 3 from dummy.
 What do you play?

defensive tips-3rd hand play

Q 8 3



<i>West</i>	<i>North</i>	<i>East</i>	<i>South</i>
			1 N
Pass	2 N	Pass	3 N
All pass			

Opening lead: ♥ 2 Declarer plays the 3 from dummy.
 What do you play?

defensive tips-3rd hand play

Q 8 3




<i>West</i>	<i>North</i>	<i>East</i>	<i>South</i>
			1 N
Pass	2 N	Pass	3 N
All pass			

Opening lead: ♥ 2 Declarer plays the 3 from dummy.
What do you play?

ANSWERS

- ♠ A104 Play the 10 When dummy has an honour that 3rd hand can beat, 3rd hand plays the 9 or 10, if they have it
- ♠ 964 Play the 4 Count card (odd # here) more useful to partner
- ♠ J104 Play the 10 (lower of touching cards - may have the Jack, but denies the 9)
- ♠ K5 Play the King
- ♠ A109 Play the 9 (lower of touching) if you play the 10, partner will think declarer has the 9
- ♠ AJ96 Play the J (not the 9)
- ♠ K74 Play the K When 3rd hand's second highest card is lower than the 9, they play high
- ♠ A97 Play the 7 - the equivalent of the 9 here
- ♠ 109 Play the 9 lowest of touching cards
- ♠ AK10 the 10
- ♠ J974 The Jack, When 3rd hand can't beat dummy's honour, they must play their highest card
- ♠ A10 The 10

defensive tips-3rd hand play and return

	♠ Q 8 4 ♥ A Q 9 4 ♦ 9 7 5 ♣ Q 9 5		
♠ — ♥ — ♦ — ♣ —		♠ K 10 5 ♥ K 7 2 ♦ K 10 8 6 ♣ 10 8 6	
	♠ — ♥ — ♦ — ♣ —		
<i>West</i>	<i>North</i>	<i>East</i>	<i>South</i>
Pass	3 N	All pass	1 N

Opening lead: ♠ 3 Dummy plays the 8

You correctly play the _____, which loses to the _____

Declarer now plays the ♥ J, partner playing the 3 (count) and you _____
 If you win your King, what do you play now?

defensive tips-3rd hand play and return

Board 8

South Deals

None Vul

	♠ Q 8 4											
	♥ A Q 9 4											
	♦ 9 7 5											
	♣ Q 9 5											
♠ A 9 7 3 2	<table style="border: 1px solid black; background-color: #008000; color: white; width: 40px; height: 40px; margin: 0 auto; text-align: center; font-size: 12px;"> <tr><td></td><td>N</td><td></td></tr> <tr><td>W</td><td></td><td>E</td></tr> <tr><td></td><td>S</td><td></td></tr> </table>		N		W		E		S		♠ K 10 5	
	N											
W		E										
	S											
♥ 8 5 3		♥ K 7 2										
♦ Q 3 2		♦ K 10 8 6										
♣ 7 2		♣ 10 8 6										
	♠ J 6											
	♥ J 10 6											
	♦ A J 4											
	♣ A K J 4 3											
<i>West</i>	<i>North</i>	<i>East</i>	<i>South</i>									
Pass	3 N	All pass	1 N									

Opening lead: ♠ 3 Dummy plays the 8

You have correctly played the ♠ 10, which lost to the Jack

Declarer now plays the ♥ J, partner playing the 3 (count) and you win your King


What do you play now?

When partner leads a small card against NoTrump, it tends to promise a high honour (Jack or higher)

Since you can account for the 10, Jack, Queen, and King, it must be the Ace.

So, play your ♠ K and return the 5 to defeat the contract.

defensive tips-3rd hand play and return

	♠ Q 8 4 ♥ A Q 9 4 ♦ 9 7 5 ♣ Q 9 5		
♠ — ♥ — ♦ — ♣ —		♠ K 10 5 ♥ K 7 2 ♦ K 8 4 2 ♣ 10 8 6	
	♠ — ♥ — ♦ — ♣ —		
<i>West</i>	<i>North</i>	<i>East</i>	<i>South</i>
Pass	3 N	All pass	1 N

Opening lead: ♠ 7 Dummy plays the 8

You correctly play the _____, which loses to the _____

Declarer now plays the ♥ J, partner playing the 3 (count) and you ????????

If you win your King, what do you play now?

defensive tips-3rd hand play and return

♠ —	♠ Q 8 4	♠ K 10 5			
♥ —	♥ A Q 9 4	♥ K 7 2			
♦ —	♦ 9 7 5	♦ K 8 4 2			
♣ —	♣ Q 9 5	♣ 10 8 6			
	<div style="display: inline-block; background-color: green; color: white; padding: 5px; border: 1px solid black;"> <table style="border-collapse: collapse; margin: 0;"> <tr><td style="padding: 2px 5px;">N</td></tr> <tr><td style="padding: 2px 5px;">W E</td></tr> <tr><td style="padding: 2px 5px;">S</td></tr> </table> </div>	N	W E	S	
N					
W E					
S					
	♠ —				
	♥ —				
	♦ —				
	♣ —				
<i>West</i>	<i>North</i>	<i>East</i>			
Pass	3 N	All pass			
		<i>South</i> 1 N			

Opening lead: ♠ 7 Dummy plays the 8

You have correctly played the ♠ 10 which lost to the Jack

Declarer now plays the ♥ J, partner playing the 3 (count) and you win your King

What do you play now?

Rule of 11 says that there were $11 - 7 = 4$ cards higher than the card led by partner. The appearance of the Jack tells us that the Rule of 11 does not apply on this hand.

Partner has not led a low card from an honour here.

The ♠ 7 is from 7x, 7xx, or 97xx Standard leads against NT

So, what do you do?

defensive tips-3rd hand play and return

Board 9

South Deals

None Vul

	♠ Q 8 4		
	♥ A Q 9 4		
	♦ 9 7 5		
	♣ Q 9 5		
♠ 9 7 6 3	<div style="display: inline-block; background-color: green; color: white; padding: 5px; text-align: center;"> N W E S </div>	♠ K 10 5	
♥ 8 6 3		♥ K 7 2	
♦ A J 3		♦ K 8 4 2	
♣ 7 3 2		♣ 10 8 6	
	♠ A J 2		
	♥ J 10 5		
	♦ Q 10 6		
	♣ A K J 4		
<i>West</i>	<i>North</i>	<i>East</i>	<i>South</i>
Pass	3 N	All pass	1 N

Opening lead: ♠ 7 Dummy plays the 8

You correctly played the 10, which lost to the Jack

Declarer now plays the ♥ J, partner playing the 3 (count) and you win your King

What do you play now?

Rule of 11 says that there were $11 - 7 = 4$ cards higher than the card led by partner. The appearance of the Jack tells us that the Rule of 11 does not apply on this hand.

Do not play your ♠ K, as declarer likely has the Ace.

Partner has not led a low card from an honour here.

The ♠ 7 is from 7x, 7xx, or 97xx Standard leads against NT

Partner has led the ♠ 7 from ♠ 9763

Lead 2nd highest from 4 rags/spot cards (or highest if top 2 cards are touching)


So, what do you do ***Lead a small diamond***

Leading small in the middle of the hand says you have something (A, K, Q) in the suit and suggests returning it. Mid-hand is once declarer starts playing on suits (after Trick 1 or 2)

Partner will win the ♦ J, cash the Ace and return a small diamond for you to beat the contract.

Defensive tips-leading suits mid-hand

Board 10
 South Deals
 None Vul

	♠ 9 7 ♥ 9 6 3 ♦ A Q 10 9 8 ♣ Q J 2		♠ J 5 3 ♥ A 7 4 ♦ 7 6 5 2 ♣ 7 6 3
♠ Q 10 6 4 2 ♥ K J 8 2 ♦ 4 3 ♣ K 5		♠ A K 8 ♥ Q 10 5 ♦ K J ♣ A 10 9 8 4	
<i>West</i>	<i>North</i>	<i>East</i>	<i>South</i>
Pass	3 NT	All pass	1 NT

Opening lead: ♠ 4 5 from dummy, Jack and King from Declarer

Declarer plays ♦ J to dummy and plays ♣ Q finessing

West wins ♣ K and plays ????????

Defensive tips-leading suits mid-hand

Board 10
 South Deals
 None Vul

	♠ 9 7		
	♥ 9 6 3		
	♦ A Q 10 9 8		
	♣ Q J 2		
♠ Q 10 6 4 2	<div style="display: inline-block; background-color: #008000; color: white; padding: 5px; text-align: center;"> N W E S </div>	♠ J 5 3	
♥ K J 8 2		♥ A 7 4	
♦ 4 3		♦ 7 6 5 2	
♣ K 5		♣ 7 6 3	
	♠ A K 8		
	♥ Q 10 5		
	♦ K J		
	♣ A 10 9 8 4		
<i>West</i>	<i>North</i>	<i>East</i>	<i>South</i>
Pass	3 NT	All pass	1 NT

Opening lead: ♠ 4 5 from dummy, Jack and King from Declarer

Declarer plays ♦ J to dummy and plays ♣ Q finessing

West wins ♣ K and plays ????????

While East might have played the ♠ J from AJx, if West was known to be short of entries, that is unlikely here since it is East who has the weak hand.

West knows who holds the ♠ A. It is declarer.

West also knows that partner has 5 - 7 HCP (Count the HCP) and is a good bet to hold the ♥ A

West should play the ♥ 2, showing strength in the suit and asking partner to return the suit if they get in.
Low cards in new suits the middle of the hand encourage and show strength in that suit

West is delighted to see partner's Ace win the trick.

Delight turns to dismay, if East plays back partner's original suit.

Defensive tips-leading suits mid-hand

Board 10
 South Deals
 None Vul

	♠ 9 7		
	♥ 9 6 3		
	♦ A Q 10 9 8		
	♣ Q J 2		
♠ A 10 6 4 2	<div style="display: inline-block; background-color: #008000; color: white; padding: 5px; text-align: center;"> N W E S </div>	♠ J 8 3	
♥ Q 8 5 2		♥ A 7 4	
♦ 4 3		♦ 7 6 5 2	
♣ K 5		♣ 7 6 3	
	♠ K Q 5		
	♥ K J 10		
	♦ K J		
	♣ A 10 9 8 4		
<i>West</i>	<i>North</i>	<i>East</i>	<i>South</i>
Pass	3 NT	All pass	1 NT

Let's change the hands slightly

Opening lead: ♠ 4 5 from dummy, Jack and King from Declarer

Declarer plays ♦ J to dummy and plays ♣ Q finessing

West wins ♣ K and plays ????????

East may have ♠ QJx, but West can't be sure (Another tip)

Defensive tips-leading suits mid-hand

Board 10
 South Deals
 None Vul

	♠ 9 7		
	♥ 9 6 3		
	♦ A Q 10 9 8		
	♣ Q J 2		
♠ A 10 6 4 2	<div style="display: inline-block; background-color: #008000; color: white; padding: 5px; text-align: center;"> N W E S </div>	♠ J 8 3	
♥ Q 8 5 2		♥ A 7 4	
♦ 4 3		♦ 7 6 5 2	
♣ K 5		♣ 7 6 3	
	♠ K Q 5		
	♥ K J 10		
	♦ K J		
	♣ A 10 9 8 4		
<i>West</i>	<i>North</i>	<i>East</i>	<i>South</i>
Pass	3 NT	All pass	1 NT

Let's change the hands slightly

Opening lead: ♠ 4 5 from dummy, Jack and King from Declarer

Declarer plays ♦ J to dummy and plays ♣ Q finessing

West wins ♣ K and plays ????????

East may have ♠ QJx, but West can't be sure (Another tip)

Once again, West should put East with 5-7 HCP, and likely the ♥ A.

West should play the ♥ 8, showing no interest in return of suit.


This asks partner not to return ♥ if they get in, and suggests returning original suit led.

High cards in new suits in the middle of the hand suggest returning another suit.

West is delighted to see partner's Ace win the trick.

Now, when East wins the ♥ A, they know to return a spade to defeat the contract.

Defensive tips - leads mid-hand

	♠ —		
	♥ —		
	♦ —		
	♣ —		
♠ A K 9 3 ♥ Q J 10 4 ♦ 10 5 ♣ 10 6 3		♠ — ♥ — ♦ — ♣ —	
	♠ J 10 7		
	♥ K 8		
	♦ K Q J 9		
	♣ Q 9 5 2		
<i>West</i>	<i>North</i>	<i>East</i>	<i>South</i>
			1 ♦
Pass	2 ♣	Pass	3 ♣
Pass	3 N	All pass	

Opening lead from East: ♥ 7

♥ K from dummy. You signal ♥ 4, showing encouragement (upside down attitude)
 Playing standard attitude, you would play the ♥ Q, promising the Jack

Declarer plays the ♦ K from dummy. You show an even number and partner wins the 2nd round with his Ace.

Partner now plays the ♠ 4. You win with the King. Now what?

Defensive tips - leads mid-hand

	♠ —		
	♥ —		
	♦ —		
	♣ —		
♠ A K 9 3 ♥ Q J 10 4 ♦ 10 5 ♣ 10 6 3	<div style="background-color: green; color: white; padding: 10px; display: inline-block;"> N W E S </div>	♠ — ♥ — ♦ — ♣ —	
	♠ J 10 7		
	♥ K 8		
	♦ K Q J 9		
	♣ Q 9 5 2		
<i>West</i>	<i>North</i>	<i>East</i>	<i>South</i>
			1 ♦
Pass	2 ♣	Pass	3 ♣
Pass	3 N	All pass	

Opening lead: ♥ 7

♥ K from dummy. You signal ♥ 4, showing encouragement (upside down attitude)
 Playing standard attitude, you would play the ♥ Q, promising the Jack

Declarer plays the ♦ K from dummy. You show an even number and partner wins the 2nd round with his Ace.

Partner now plays the ♠ 2. You win with the King. Now what?


Why did declarer start on diamonds and not clubs - because the clubs are going to run

Partner's lead of the ♥ 7 cannot be 4th best - you can see 5 cards higher than the 7.

Recall: leads of low cards in new suits, in the middle of the hand are encouraging

Defensive tips - leads mid-hand

Board 11
South Deals
None Vul

<p>♠ A K 9 3 ♥ Q J 10 4 ♦ 10 5 ♣ 10 6 3</p>		<p>♠ 8 5 4 ♥ A 5 3 ♦ 4 2 ♣ A K J 8 7</p>	<p>♠ Q 6 2 ♥ 9 7 6 2 ♦ A 8 7 6 3 ♣ 4</p>
		<p>♠ J 10 7 ♥ K 8 ♦ K Q J 9 ♣ Q 9 5 2</p>	
<i>West</i>	<i>North</i>	<i>East</i>	<i>South</i>
			1 ♦
Pass	2 ♣	Pass	3 ♣
Pass	3 N	All pass	

Opening lead: ♥ 7

♥ K from dummy. You signal ♥ 4, showing encouragement (upside down attitude)
Playing standard attitude, you would play the ♥ Q, promising the Jack

Declarer plays the ♦ K from dummy. You show an even number and partner wins the 2nd round with his Ace.

Partner now plays the ♠ 2. You win with the King. Now what?

Why did declarer start on diamonds and not clubs - because the clubs are going to run

Partner's lead of the ♥ 7 cannot be 4th best - you can see 5 cards higher than the 7.

Recall: leads of low cards in new suits, in the middle of the hand are encouraging

If you returned a ♥, the contract makes with 2 overtricks.

Partner knows who has the ♥ A and has figured out the ♣ situation and has led away from his ♠ Q in a last ditch effort to beat the contract.

You have 4 spades to cash, to beat the contract. Play a low one back to partner's ♠ Q.

Defensive tips - Smith Echo

9 7



K

<i>West</i>	<i>North</i>	<i>East</i>	<i>South</i>
	1 ♦	Pass	2 ♣
Pass	2 N	Pass	3 N
All pass			

Opening Lead: ♥ 4

7 from dummy, Jack from East, declarer wins with King.

From West's point of view, who has the ♥ Q? Could be either East or declarer

Defensive tips - Smith Echo

Board 12
 South Deals
 None Vul

	♠ Q 10 2		
	♥ 9 7		
	♦ 7 6 5 4		
	♣ A K Q J		
♠ 9 8 7	♠ K J 6 4		
♥ A 10 8 4 2	♥ Q J 5		
♦ K 3	♦ 10 9 8		
♣ 9 7 3	♣ 10 8 2		
	<div style="display: inline-block; background-color: #008000; color: white; padding: 5px; text-align: center; margin: 5px;"> N W E S </div>		
	♠ A 5 3		
	♥ K 6 3		
	♦ A Q J 2		
	♣ 6 5 4		
<i>West</i>	<i>North</i>	<i>East</i>	<i>South</i>
			1 ♦
Pass	2 ♣	Pass	2 N
Pass	3 N	All pass	

Opening Lead: ♥ 4

7 from dummy, Jack from East, declarer wins with King.

From West's point of view, who has the ♥ Q? Could be either East or declarer

Declarer leads club to dummy and takes diamond finesse.
 What now West?

This is where the **Smith Echo** (or Reverse Smith Echo) comes in.

It goes like this:

When declarer starts to play on a suit, defenders spot cards indicate attitude to the opening lead:
unless it was essential to give count (i.e. to tell partner to Holdup)

High= I think you should continue your lead Low = I suggest a switch

Under Reverse Smith (for the upside down players) High = don't continue Low = continue

Defensive tips - Smith Echo

Board 12

North Deals

None Vul

	♠ Q 10 2		
	♥ 9 7		
	♦ 7 6 5 4		
	♣ A K Q J		
♠ 9 8 7	<div style="display: inline-block; background-color: green; color: white; padding: 5px; text-align: center;"> N W E S </div>	♠ K J 6 4	
♥ A 10 8 4 2		♥ Q J 5	
♦ K 3		♦ 10 9 8	
♣ 9 7 3		♣ 10 8 2	
	♠ A 5 3		
	♥ K 6 3		
	♦ A Q J 2		
	♣ 6 5 4		
<i>West</i>	<i>North</i>	<i>East</i>	<i>South</i>
	1 ♦	Pass	2 ♣
Pass	2 N	Pass	3 N
All pass			

Opening Lead: ♥ 4

7 from dummy, Jack from East, declarer wins with King.

From West's point of view, who has the ♥ Q? Could be either East or declarer

Declarer leads club to dummy and takes diamond finesse.

What now West?

This is where the Smith Echo (or Reverse Smith Echo) comes in.

It goes like this:

When declarer starts to play on a suit, defenders spot cards indicate attitude to the opening lead:

unless it is essential to give count,

High= I think you should continue your lead Low = I don't want a continuation

Under Reverse Smith (for the upside down players) High = don't continue Low= pls continue

East should play the ♣ 10 indicating that they like partner's opening ♥ lead, because they hold the Queen (♣ 2 for Reverse Smith players)

West will continue hearts to partner's Jack to beat the contract.

Defensive tips - Smith Echo

Board 12

North Deals

None Vul

	♠ Q 10 2		
	♥ 9 7		
	♦ 7 6 5 4		
	♣ A K Q J		
♠ 9 8 7	<div style="display: inline-block; background-color: #008000; color: white; padding: 5px; text-align: center;"> N W E S </div>	♠ A J 6 4	
♥ A 10 8 4 2		♥ J 6 5	
♦ K 3		♦ 10 9 8	
♣ 9 7 3		♣ 10 8 2	
	♠ K 5 3		
	♥ K Q 3		
	♦ A Q J 2		
	♣ 6 5 4		

<i>West</i>	<i>North</i>	<i>East</i>	<i>South</i>
	1 ♦	Pass	2 ♣
Pass	2 N	Pass	3 N
All pass			

Let's change the hands a bit.

Opening Lead: ♥ 4

7 from dummy, Jack from East, declarer wins with King.

From West's point of view, who has the ♥ Q? Could be either East or declarer

Declarer leads club to dummy and takes diamond finesse.

What now West?

This is where the Smith Echo (or Reverse Smith Echo) comes in.

It goes like this:

When declarer starts to play on a suit, defenders spot cards indicate attitude to the opening lead:

unless it is essential to give count,

High= I think you should continue your lead Low = I don't want a continuation

Under Reverse Smith (for the upside down players) High = don't continue Low= pls continue

East should play the ♣ 2 indicating that they can't stand a heart continuation,

(♣ 10 for Reverse)

West will exit the ♠ 9, (don't return ♠) and when East wins their Ace,

they will return the ♥ 6 (highest of 2 remaining) through declarer's Queen, to defeat the contract.

Defensive tips - Smith Echo

Board 12
 North Deals
 None Vul

	♠ 9										
	♥ 5 4 3 2										
	♦ A Q J 10 7										
	♣ A J 4										
♠ J 8 6 4 2	<table style="border: 1px solid black; width: 40px; height: 40px; margin: auto; text-align: center; color: white;"> <tr><td></td><td>N</td><td></td></tr> <tr><td>W</td><td></td><td>E</td></tr> <tr><td></td><td>S</td><td></td></tr> </table>		N		W		E		S		♠ Q 10 5 3
	N										
W		E									
	S										
♥ A Q 10 6		♥ J 9 8									
♦ 9 6 2		♦ K 3									
♣ 3		♣ 8 7 6 5									
	♠ A K 7										
	♥ K 7										
	♦ 8 5 4										
	♣ K Q 10 9 2										
<i>West</i>	<i>North</i>	<i>East</i>	<i>South</i>								
	1 ♦	Pass	2 ♣								
Pass	2 ♦	Pass	3 N								
All pass											

Opening Leader can also give the Smith Echo.

Opening Lead: ♠ 4

Note: this is the most appropriate lead on this hand. This heart suit should not be led.

♠ 9 from dummy, Queen from East, declarer winning with Ace.

Declarer takes diamond finesse, losing to East

Since West, the opening leader, really wants Hearts played and doesn't want Spades returned, he should play ♦ 2 (♦ 9 if playing Reverse)

East, when winning the ♦ K, will shift to ♥ J to defeat contract

Defensive Tips - Smith Echo

♠ —	♠ Q 9 4	♠ A J 3
♥ —	♥ A 5 2	♥ Q 6 4 3
♦ —	♦ J 9 8 3	♦ 10 2
♣ —	♣ A 5 2	♣ 9 8 6 3

♠ —	♠ —
♥ —	♥ —
♦ —	♦ —
♣ —	♣ —

<i>West</i>	<i>North</i>	<i>East</i>	<i>South</i>
Pass	3 N	All pass	1 N

Opening lead: ♠ 8

♠ 9 from dummy, you cover with the Jack, declarer winning with the King

♦ Q from declarer, partner winning his King. What do you play?

Defensive Tips - Smith Echo

	♠ Q 9 4											
	♥ A 5 2											
	♦ J 9 8 3											
	♣ A 5 2											
♠ —	<div style="display: inline-block; background-color: green; color: white; padding: 5px; border: 1px solid black;"> <table style="border-collapse: collapse; text-align: center; width: 40px; height: 40px;"> <tr><td></td><td>N</td><td></td></tr> <tr><td>W</td><td></td><td>E</td></tr> <tr><td></td><td>S</td><td></td></tr> </table> </div>		N		W		E		S		♠ A J 3	
	N											
W		E										
	S											
♥ —		♥ Q 6 4 3										
♦ —		♦ 10 2										
♣ —		♣ 9 8 6 3										
	♠ —											
	♥ —											
	♦ —											
	♣ —											
<i>West</i>	<i>North</i>	<i>East</i>	<i>South</i>									
			1 N									
Pass	3 N	All pass										

Opening lead: ♠ 8

♠ 9 from dummy, you cover with the Jack, declarer winning with the King

♦ Q from declarer, partner winning his King. What do you play?

The ♦ 10, to say you like the ♠ lead. (♦ 2 if playing Reverse Smith.)

Partner will continue ♠ and you will clear the suit.

Partner's ♠ 8 is clearly not 4th best (Rule of 11, declarer winning trick 1)
 However, based on declarer's play at trick 1, partner likely has the ♠ 10 and has led 2nd best from a 4 or 5 card holding

Here it is:

Defensive Tips - Smith Echo

	♠ Q 9 4		
	♥ A 5 2		
	♦ J 9 8 3		
	♣ A 5 2		
♠ 10 8 6 5 2	<div style="display: inline-block; background-color: #008000; color: white; padding: 5px; text-align: center;"> N W E S </div>	♠ A J 3	
♥ —		♥ Q 6 4 3	
♦ —		♦ 10 2	
♣ —		♣ 9 8 6 3	
	♠ —		
	♥ —		
	♦ —		
	♣ —		
<i>West</i>	<i>North</i>	<i>East</i>	<i>South</i>
			1 N
Pass	3 N	All pass	

Opening lead: ♠ 8

♠ 9 from dummy, you cover with the Jack, declarer winning with the King

♦ Q from declarer, partner winning his King. What do you play?

The ♦ 10, to say you like the ♠ lead. (♦ 2 if playing Reverse Smith.)

Partner will continue ♠ and you will clear the suit.

When they get in with their ♦ A, they will run spades to beat the contract.

Note: Partner led the 8 (second highest) from his holding.

Recall: Against NT, I suggest that leading low, from length, promises the Jack or higher

Defensive Tips - Smith Echo

	♠ Q 9 4		
	♥ A 5 2		
	♦ J 9 8 3		
	♣ A 5 2		
♠ 10 8 6 5 2	<div style="display: inline-block; background-color: #008000; color: white; padding: 5px; text-align: center;"> N W E S </div>	♠ J 7 3	
♥ —		♥ Q 6 4 3	
♦ —		♦ 10 2	
♣ —		♣ 9 8 6 3	
	♠ —		
	♥ —		
	♦ —		
	♣ —		
<i>West</i>	<i>North</i>	<i>East</i>	<i>South</i>
			1 N
Pass	3 N	All pass	

Let's change the hands a bit:

Opening lead: ♠ 8

♠ 9 from dummy, you cover with the Jack, declarer winning with the King

♦ Q from declarer, partner winning his King. What do you play?

The ♦ 2, to say you like don't like the ♠ lead. (♦ 10 if playing Reverse Smith.)

West will know that Declarer has ♠ AK this time and can defend passively or try another suit.